

# High Performance ASIC Cooling Solutions w/Thermal Tape Attachment\*

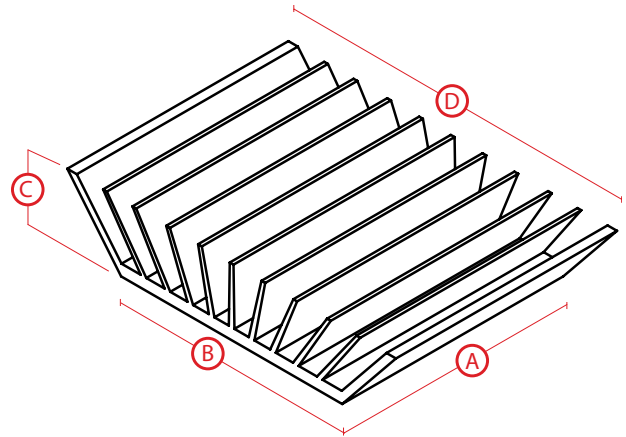
DIGI-KEY PART # **ATS1352-ND**

ATS PART # ATS-56007-C4-R0

## Features & Benefits

maxiFLOW™ design features a low profile, spread fin array that maximizes surface area for more effective convection (air) cooling

Designed specifically for ASIC package and their unique cooling requirements



## Thermal Performance Table

| AIR VELOCITY |     | THERMAL RESISTANCE |               |
|--------------|-----|--------------------|---------------|
| FT/MIN       | M/S | °C/W (UNDUCTED)    | °C/W (DUCTED) |
| 200          | 1.0 | 2.4                | 1.7           |
| 300          | 1.5 | 2                  |               |
| 400          | 2.0 | 1.7                |               |
| 500          | 2.5 | 1.5                |               |
| 600          | 3.0 | 1.3                |               |
| 700          | 3.5 | 1.2                |               |
| 800          | 4.0 | 1.1                |               |

## Product Details†

| DIMENSION A | DIMENSION B | DIMENSION C§ | DIMENSION D | TIM†   | FINISH         |
|-------------|-------------|--------------|-------------|--------|----------------|
| 45          | 45          | 15           | 64          | NO TIM | BLACK-ANODIZED |

For further technical information, please contact Advanced Thermal Solutions, Inc. at **1-781-769-2800** or [www.qats.com](http://www.qats.com)

\* RoHS Compliant

‡ TIM = Thermal Interface Material

† Dimensions are measured in millimeters

§ Dimension C = the height of the heat sink shown above and does not include the height of the attachment method



**ATS** ADVANCED THERMAL SOLUTIONS, INC.

Innovations in Thermal Management®



To place an order, please visit [www.digikey.com](http://www.digikey.com)